



ARTI Bileme

GRINDING & WELDING MACHINERY

OP-630

AUTOMATIC PLANING KNIFE GRINDER



www.artibileme.com.tr e-mail: info@artibileme.com.tr

Ibrahim Turan Cd. No 174 Menderes 35470 Izmir Turkiye

Phone: + 90 232 782 6644 + 90 232 782 2390 Fax: + 90 232 782 1468



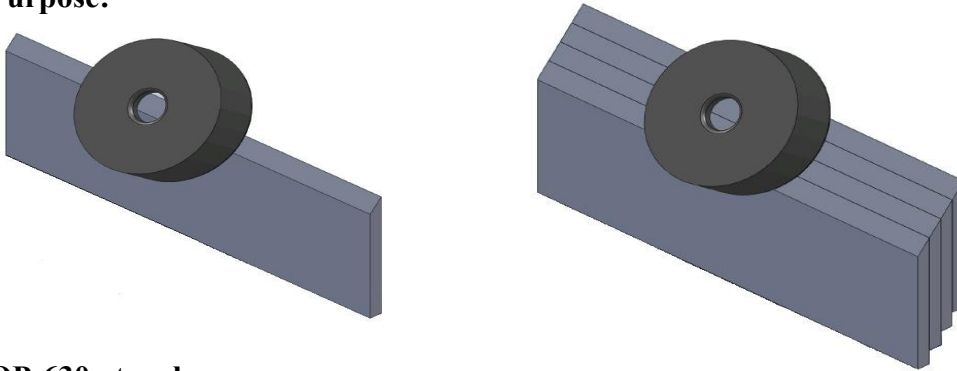
ARTI Bileme

GRINDING & WELDING MACHINERY

OP-630

OP-630 is specially designed to grind the planer knives up to 63cm length. Complete with its multiple knife mounting attachment, it is possible to grind at most four pieces of planer knives at once.

Purpose:



OP-630 at a glance:

- Automatic planer knife grinding up to 63cm.
- Mechanic knife attachment.
- Possibility to attach max. 4 pieces planing knives on the same plate.
- Microprocessor controlled.
- 24V control panel.
- Speed controlled between 0-11m/min.
- Grinding head riding on linear rails.
- High precision of 0,04mm infeed amount.
- Rigid machine base.
- Production conformed with CE standards.



Technical specifications:

Grinding length	630mm
Plate dimensions	60*80*600mm
Grinding wheel diameter	Ø100/150mm
Motor quantity	3
Grinding Speed	0-11m/min.
Automatic infeed	0,04mm
Operating voltage	380V, 3Ph, 50-60Hz
Coolant container capacity	~30 lt.
Net/gross weight	420/445kg
Dimensions	60*160*140cm

www.artibileme.com.tr e-mail: info@artibileme.com.tr

Ibrahim Turan Cd. No 174 Menderes 35470 Izmir Turkiye

Phone: + 90 232 782 6644 + 90 232 782 2390 Fax: + 90 232 782 1468



ARTI Bileme

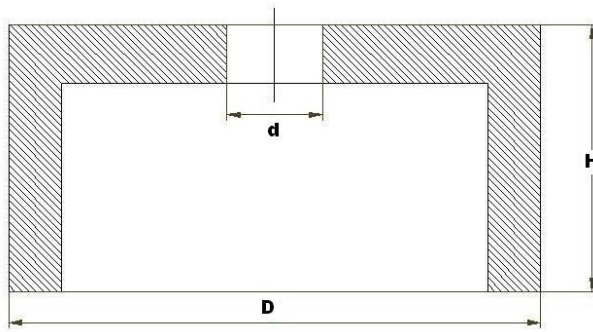
GRINDING & WELDING MACHINERY

OP-630

Motors on the machine:

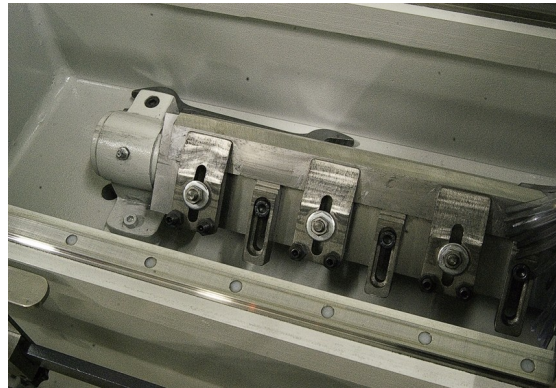
- Grinding wheel motor – 1,1kW 2800 r.p.m.
- Coolant motor – 0,09kW 2800 r.p.m.
- Grinding head horizontal movement motor – 0,37kW 2800 r.p.m.

Grinding wheel:



D:	Ø100 / 150mm
d:	Ø20mm
H:	60 / 80mm

Mechanic knife attaching plate:



Warranty period:

Mechanical Guarantee : 1 year against production faults.

Electronic Guarantee : 2 years against production faults.

(The warranty does not cover the electric motors and the supplied electrical materials)

Optional supplements:

- Grinding wheel.

To be invoiced separately.

www.artibileme.com.tr e-mail: info@artibileme.com.tr

Ibrahim Turan Cd. No 174 Menderes 35470 Izmir Turkiye

Phone: + 90 232 782 6644 + 90 232 782 2390 Fax: + 90 232 782 1468